

SYSTEMATIC QUALITY

VisuLED Home

RECESSED AND SURFACE
MOUNTED SPOTLIGHT



Product information



GIFAS
ELECTRIC

09 | 16

Recessed LED lights for garden, wall and ceiling!

A modern and effective spotlight with unlimited uses.

State-of-the-art, quality products oriented towards quality, expertise, technical advances and aesthetic demands with a balanced price-performance ratio.

Suitable for use in the house as ceiling, wall and floor lights, and also surrounding the house to lend a vibrant effect to your garden and home, while also satisfying increasing safety requirements.

Why VisuLED HOME?

Quick and easy installation thanks to consistently pluggable connection concept.

No electrical expertise is required for installation. Different mains units in various designs available, with and without housing and integrated timers. All mains units come with a mains-side connection cable and plug. Branching can be carried out on any plug connection through the placement of a T-adapter. On the final light of a strand, the cable socket must be protected from moisture by way of a screw-on protective cap.

Through the use of a 48V protective extra-low voltage, the connection cable can also be laid directly in the earth by an amateur without a protective tube/installation pipe.

The 9mm safety glass is ageing and weather resistant, scratch-proof and withstands heavy pressure.

The VisuLED HOME can be dimmed.

The VisuLED HOME modular system offers diverse placement possibilities. The VisuLED HOME can be directly fitted onto walls, ceilings, floors, masonry, poles, fences, trees or synthetic ground spikes using the stanchion mount.

For illumination directly upwards, the VisuLED HOME can either be fit into the ground with 2 upholders, or introduced into the earth at ground level without them.

In the event of rodent damage, a slotted rodent protection tube can be subsequently installed at the area at risk.

An UP ceiling/wall installation is also possible with the ceiling installation kit.

For floor installation, the VisuLED HOME can be set up flatly at ground level with the stainless steel floor mounting ring, the only requirement is a stepped bore that receives the light with the floor mounting ring.

With the stainless steel floor mounting ring, the VisuLED HOME can be installed into the ground; all it takes is a simple borehole.

VisuLED HOME composition

The housing is made from high-quality die-cast aluminium, the surface is anodised with a protective lacquer, a V4A covering ring is pressed on the head side and shatterproof glass (9mm) covers the housing at the front. Electronics and LED diodes are firmly cast with a 2K compound.

The light comes with 2 connection cables (2P), 300mm long. (Supply line with plug 2P, outgoing feeder with coupling 2P).

Product/system characteristics

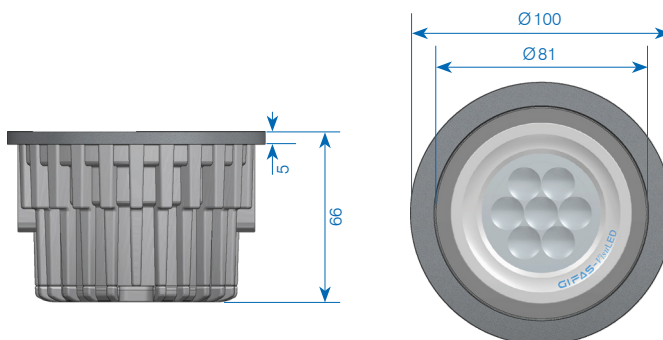
- very low power consumption
- long lasting (>50'000h)
- dimmable with all commercially available PWM dimmers (200 - 1'000 Hz)
- the whole system is operated at low voltage (<48V)
- all electrical connections are pluggable – they can therefore be installed and operated by anybody

Technical data

Operating voltage:	20-48VDC
Current consumption:	420mA @ 24VDC
Output:	10W
Protection class:	IP67
Protection class:	III
Light:	4 PowerLED
Luminous flux:	720lm (measured at spot 4'000K)
Light colours:	warm white 3'000K comfort white 4'000K
Colour reproduction:	CRI 80
Lenses:	Spot 10° / Wide 38°
Temperature range:	-40° C to +55° C
Weight:	710g



Dimensions

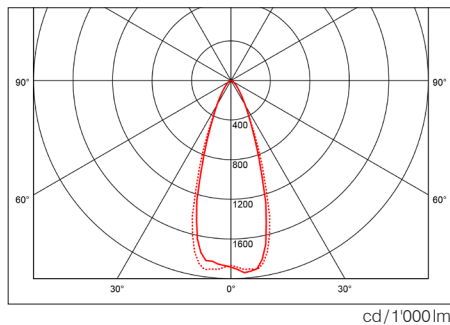




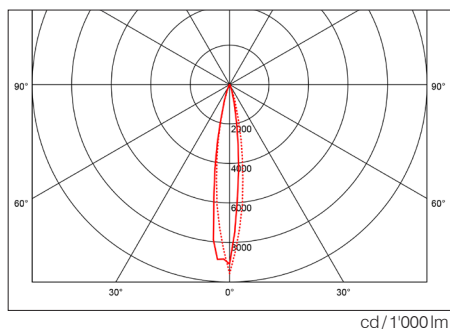
Application examples as indirect lighting¹ on house facades², as a ceiling light³ or for effective lighting of plants⁴.

Light beam characteristic

Wide 38°

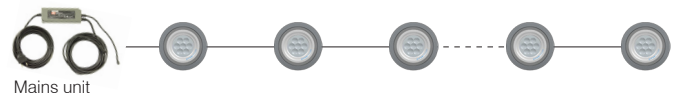


Spot 10°

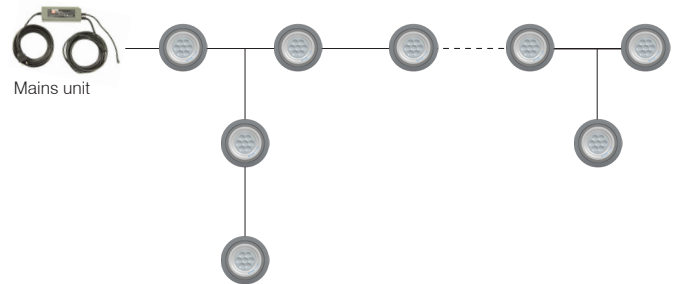


System setup

in sequence (possible to dim with PWM dimmers)



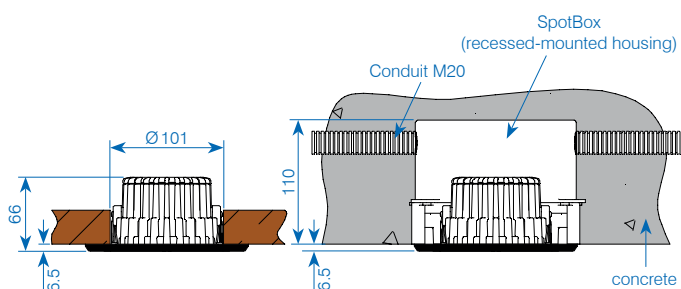
with branching (PWM-dimming could cause malfunctions)



Standard light range

Item no.	Designation	Light colour	Optics
860104	VisuLED HOME complete, incl. 2 connection cables (300 mm)	3'000K warm white	Spot
860105	VisuLED HOME complete, incl. 2 connection cables (300 mm)	4'000K comfort white	Spot
860106	VisuLED HOME complete, incl. 2 connection cables (300 mm)	3'000K warm white	Wide
860107	VisuLED HOME complete, incl. 2 connection cables (300 mm)	4'000K comfort white	Wide

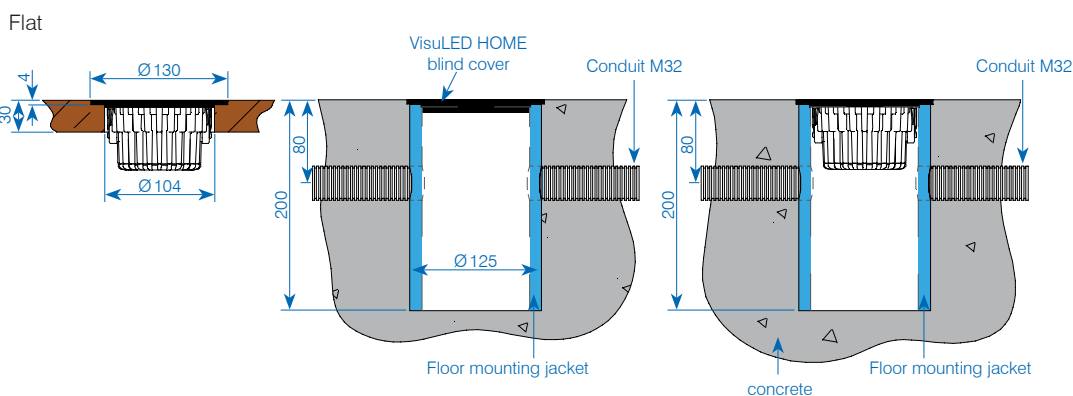
As ceiling light:



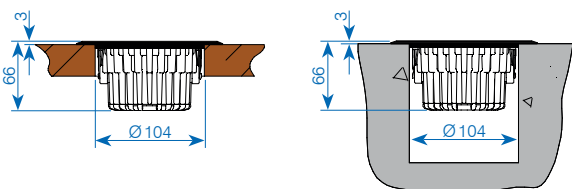
Accessories

Item no.	Designation
860101	VisuLED HOME recessed set, Ø 145×6.5 mm, anodised aluminum, complete, incl. fixing material
153677	Installation housing SpotBox MiniFix small, H = 110 mm

As recessed floor light:



Attachment



Accessories

Item no.	Designation
860195	V4A flat ground cover ring set, Ø 130×9 mm complete, incl. fixing material
860196	V4A ground cover ring set, Ø 140×9 mm complete, incl. fixing material
860126	Floor mounting jacket PE Ø 125×196 mm with 2 drills Ø 32 mm
860198	Blind cover (black) for floor mounting jacket

On a stanchion mount

This stanchion mount is required for a lot of the application possibilities. Therefore, assembly is possible on a balustrade, wall, or ceiling. The possible pivot angle is 360°.



Accessories

Item no.	Designation
860108	V2A VisuLED HOME, stanchion mount set complete, incl. fixing material

Directly in the ground

In order for the position to be stabilised in loose earth or turf, use of the upholder is recommended (used in pairs) These can be screwed directly onto the housing and are made of V2A steel.

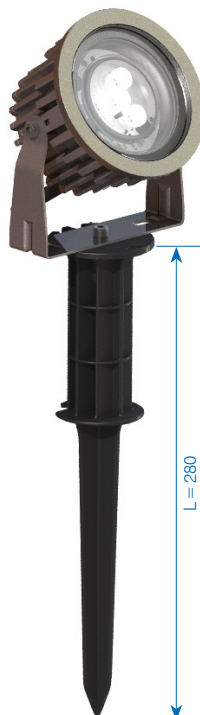


Accessories

Item no.	Designation
860114	1 pc. upholder /spike V2A VisuLED HOME, Ø8×200mm complete (to be used pairwise)

On a ground spike

The VisuLED is placed on the ground spike using the stanchion mount. The illumination can therefore be perfectly aligned and, if necessary, easily displaced.



Accessories

Item no.	Designation
126197	Ground spike (280mm), synthetic complete, incl. screws and washers

Pluggable connection cable

A special PUR extension $2 \times 0.75 \text{ mm}^2$ is used as a cable connection. The utilised plug connections are operated in protection class IP68. The diameter on the plug side is $\varnothing 15 \text{ mm}$, on the connector side $\varnothing 19 \text{ mm}$. There is a T adapter for a branch and a protective cap for an unused outgoing feeder – both also IP68.



Item no. 860115

Item no. 860116

Item no.	Designation
860215	Extension cable, length 1m
860115	Extension cable, length 5m
860116	Extension cable, length 10m



Item no. 860128

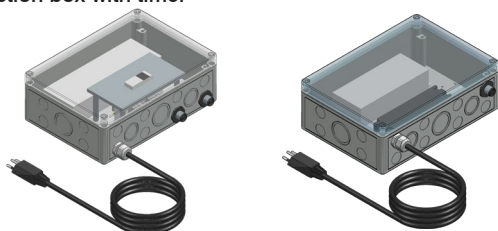
Item no. 860117

Item no. 860127

Item no. 860125

Item no.	Designation
860128	T-Adapter IP68, 2P - 12A, 250V without protective cap
860117	Protective cap IP68 for cable cover
860125	Flexible hose „rodent protection“ PA6 $\varnothing 10.3 \text{ mm}$, black, non-halogen
860127	Retractor tool for installation conduit „rodent protection“

Connection box with timer



Item no.	Designation
860163	Connection box/timer VisuLED HOME, $254 \times 180 \times 84 \text{ mm}$ NG 230 VAC/36VDC - 60W, IP66, connection cable 5m, 2 outlets
860194	Connection box/timer VisuLED HOME, $254 \times 180 \times 84 \text{ mm}$ NG 230 VAC/36VDC - 120W, IP66, connection cable 5m, 2 outlets
215080	Connection box/remote control VisuLED HOME $254 \times 180 \times 84 \text{ mm}$, NG 230 VAC/36VDC - 120W, IP66 connection cable 5m, 2 outlets, incl. remote control
218922	Connection box/remote control VisuLED HOME $254 \times 180 \times 84 \text{ mm}$, NG 230 VAC/36VDC - 60W, IP66 connection cable 5m, 3 outlets, incl. remote control

Standard with 60W/120W output

The standard mains unit provides a power output of 60W/120W. Therefore, a maximum of 4/9 VisuLED HOME can be powered. The maximum length for the layout is 200m (be aware of voltage drops). The VisuLED HOME light fixtures can be dimmed in combination with a commercial 1 - 10V controller.

We offer 7 variations in the product range:

Power supply pluggable



Item no.	Designation
860123	Power supply VisuLED HOME, 230 VAC/36VDC - 60W, IP67, connection cable 5m, cable coupling 5m, $150 \times 53 \times 35 \text{ mm}$
860124	Power supply VisuLED HOME, 230 VAC/36VDC - 90W, IP67, connection cable 5m, cable coupling 5m, $171 \times 63 \times 37.5 \text{ mm}$
860290	Power supply VisuLED HOME, 230 VAC/36VDC - 120W, IP67, connection cable 5m, cable coupling 5m, $191 \times 63 \times 37.5 \text{ mm}$

Connection box



Item no.	Designation
860164	Connection box VisuLED HOME, $254 \times 180 \times 84 \text{ mm}$, NG 230 VAC/36VDC - 60W, IP66, connection cable 5m, 2 outlets
860129	Connection box VisuLED HOME, $254 \times 180 \times 84 \text{ mm}$, NG 230 VAC/36VDC - 120W, IP66, connection cable 5m, 2 outlets

For dimming function



Item no.	Designation
104780	Recessed-mounted rotary controller 1 - 10VDC Edizio white



VisuLED HOME in stone floor with AP ring



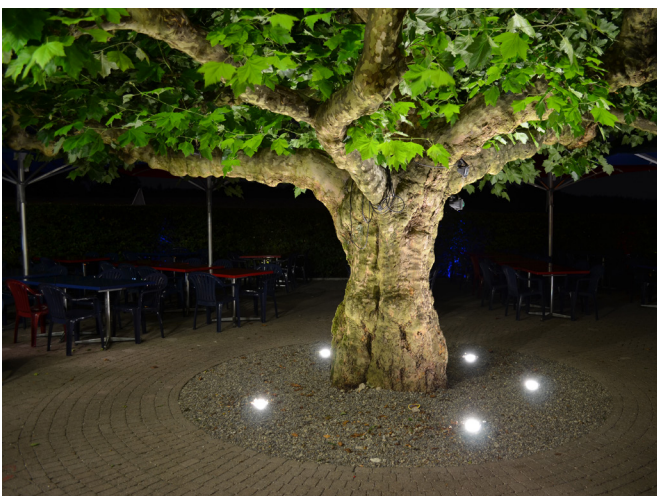
VisuLED HOME as facade lighting, embedded in the ground



VisuLED HOME directly laid in the earth – accent lighting



VisuLED HOME on ground spike, path lighting effect



VisuLED HOME completely embedded in gravelly soil



VisuLED HOME on stanchion mount

GET IN TOUCH WITH US

News about the assortment and specific solutions
you can find on our website:

www.gifas.ch

We reserve the right to make technical modifications. V 0722



GIFAS
ELECTRIC

GIFAS-ELECTRIC GmbH
Dietrichstrasse 2
CH-9424 Rheineck

+41 71 886 44 44
+41 71 886 44 49
info@gifas.ch
www.gifas.ch